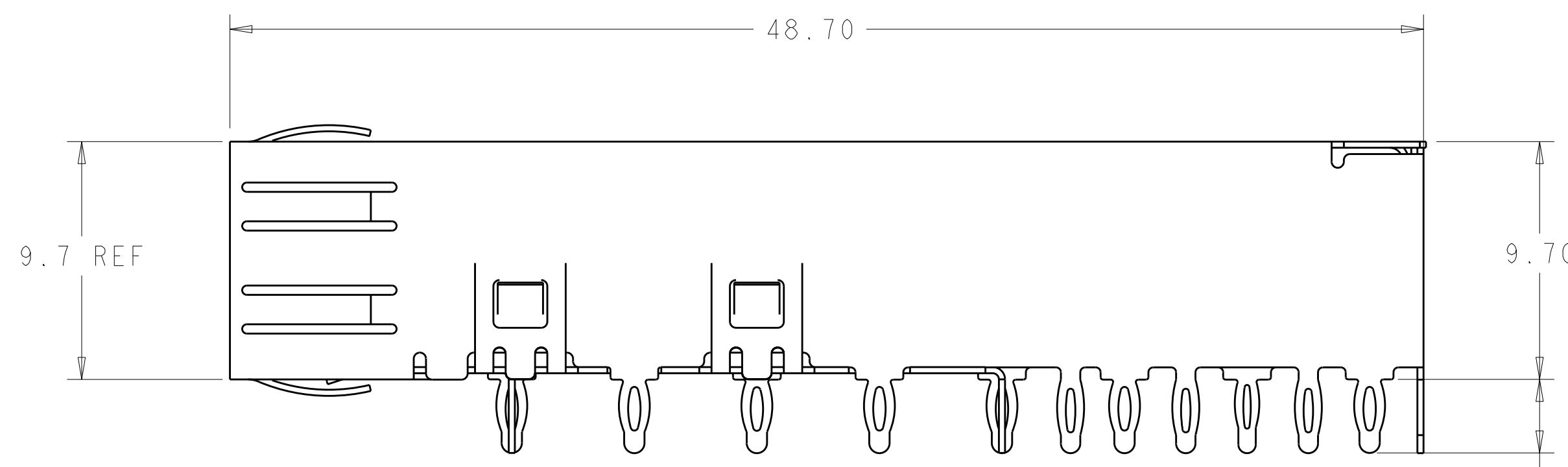
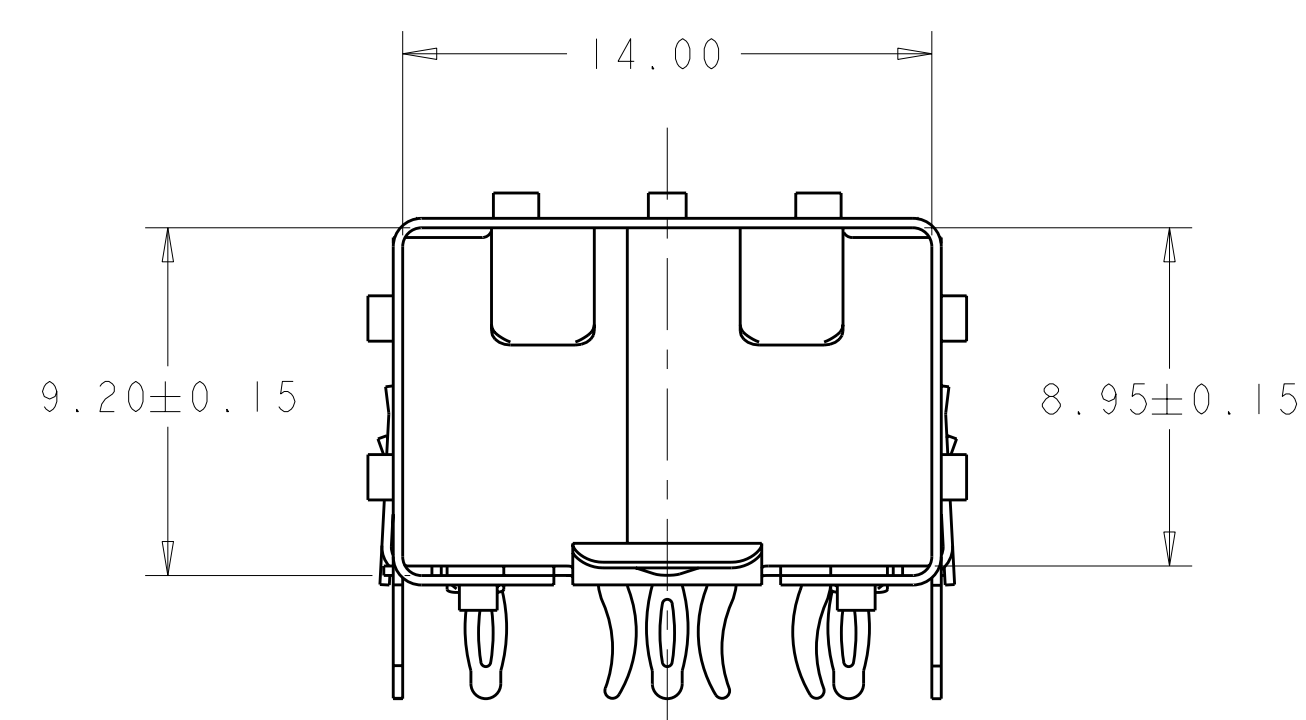
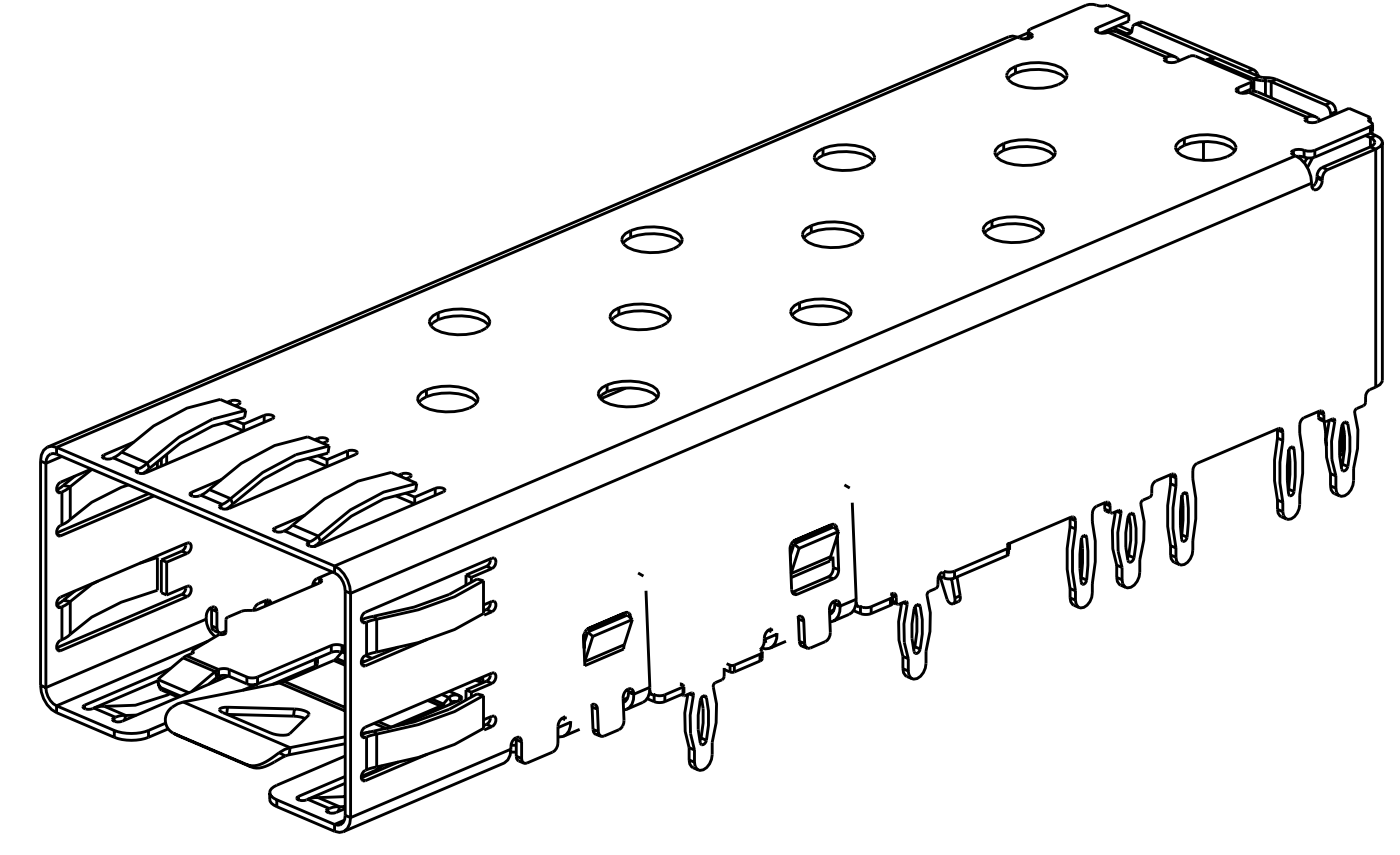
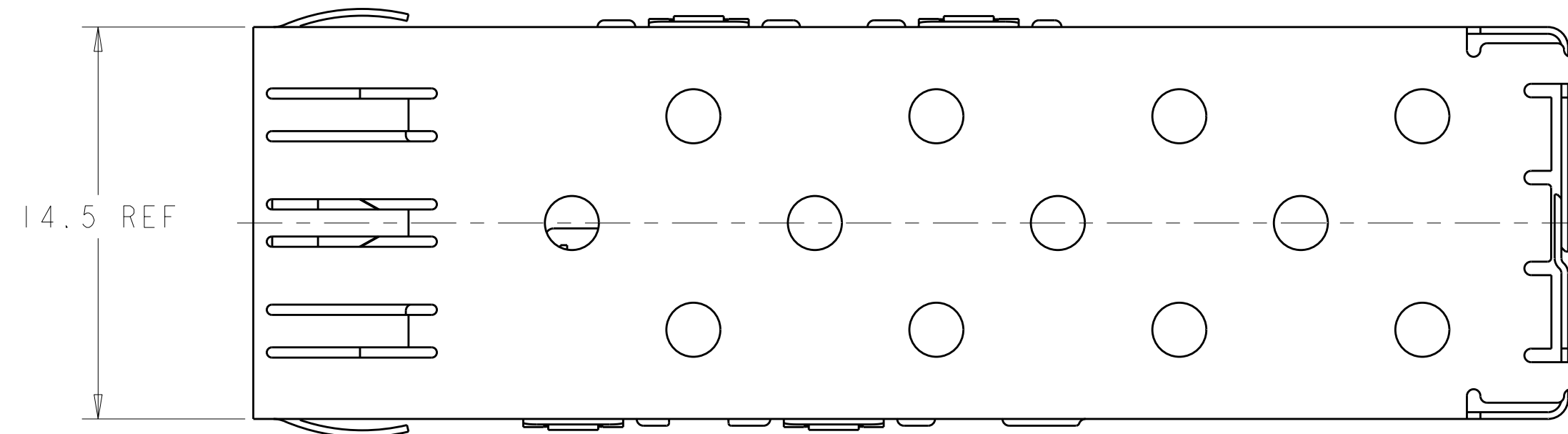
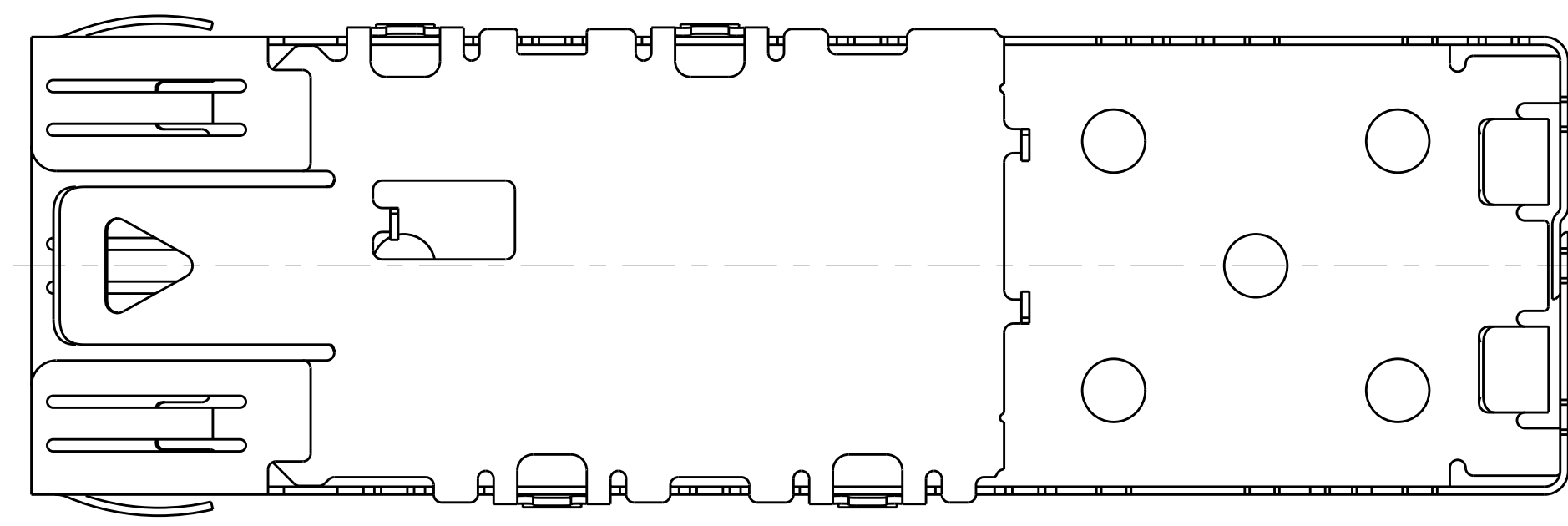
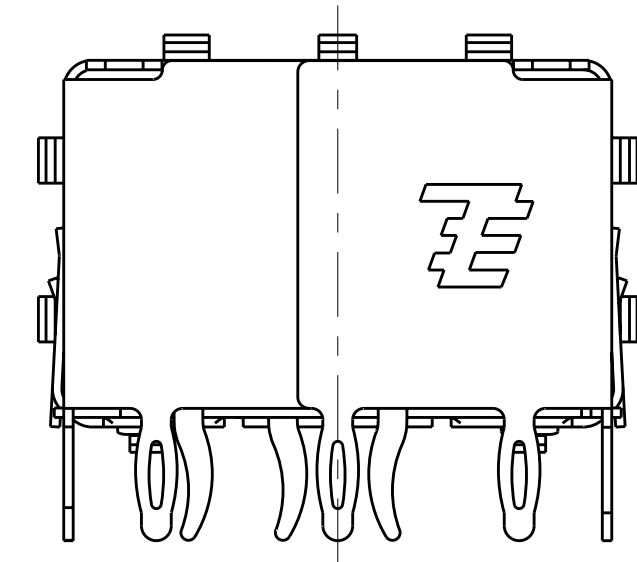


LOC	DIST	REVISIONS			
GP	00	REV	DATE	DWN	APVD
		C1	REVISD PER ECO-05-016691	24FEB06	BM SS
		C2	REVISD PER ECR-07-025798	30OCT07	TZ SY



3.00 TYP
 TAIL LENGTH



- 1 MATERIAL: 0.25 THICK COPPER ALLOY.
- 2 FINISH: TIN. NONPLATED EDGES PERMISSIBLE.
- 3. SFP MSA COMPATIBLE.
- 4 PADS AND VIAS CHASSIS GROUND.
- 5 DATUM AND BASIC DIMENSION ESTABLISHED BY CUSTOMER.
- 6. MINIMUM PC BOARD THICKNESS:
 SINGLE SIDED= 1.45
 DOUBLE SIDED STAGGERED= 3.00

Copyright 2002
 Tyco Electronics Corp
 All Rights Reserved

DIMENSIONS:		TOLERANCES UNLESS OTHERWISE SPECIFIED:		DWN M.E. SHIRK 14NOV01		Tyco Electronics Harrisburg, PA 17105-3608	
mm	0 PLC ±	1 PLC ±0.10	2 PLC ±	3 PLC ±	4 PLC ±	5 PLC ±	6 PLC ±
	ANGLES ±	FINISH ±					
MATERIAL	FINISH	WEIGHT	APVD M. WALMSLEY 31MAY02	PRODUCT SPEC	108-1950	APPLICATION SPEC	114-13120
CUSTOMER DRAWING				SCALE	5:1	SHEET	1 OF 3
DESCRIPTION				PART NUMBER			
AS SHOWN				1489779-1			
CAGE ASSEMBLY, 20 PRESS FIT, SFP				REV C2			

8

7

6

5

4

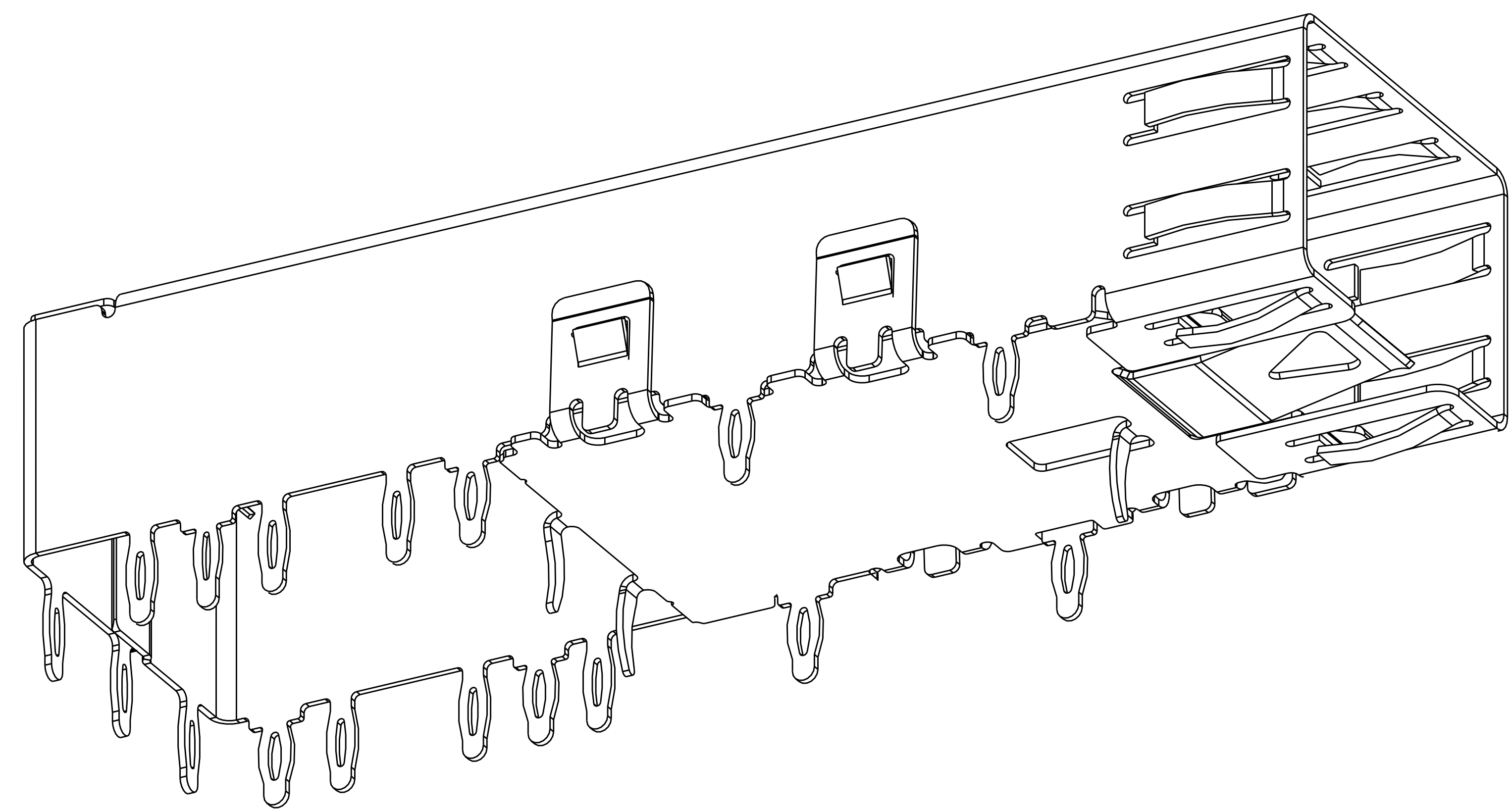
3

2

1

THIS DRAWING IS UNPUBLISHED. RELEASED FOR PUBLICATION 20
 © COPYRIGHT 20 BY TYCO ELECTRONICS CORPORATION. ALL RIGHTS RESERVED.

LOC	DIST	REVISIONS			
GP	00	REV	DATE	DWN	APVD
-	-	SEE SHEET 1	-	-	-

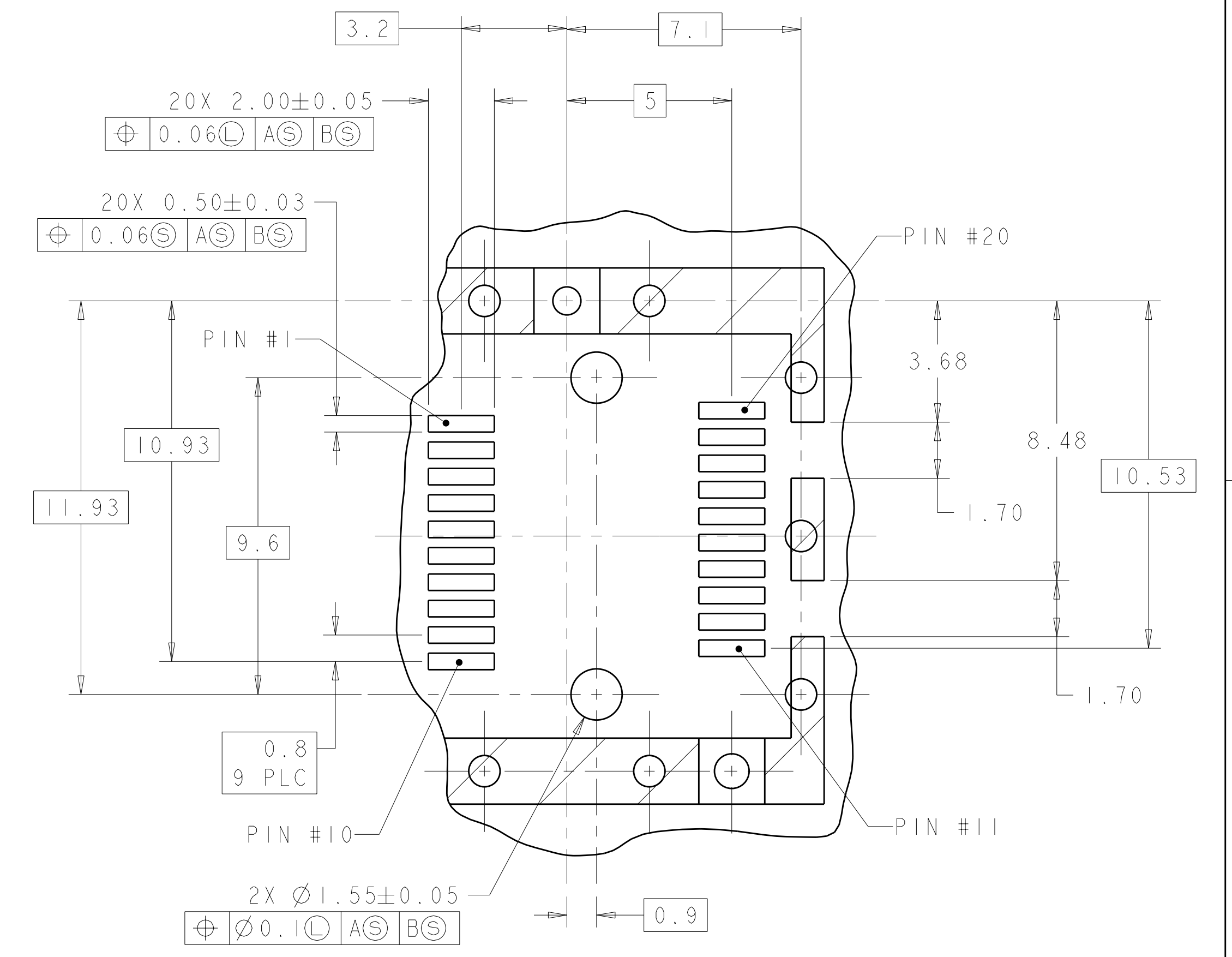
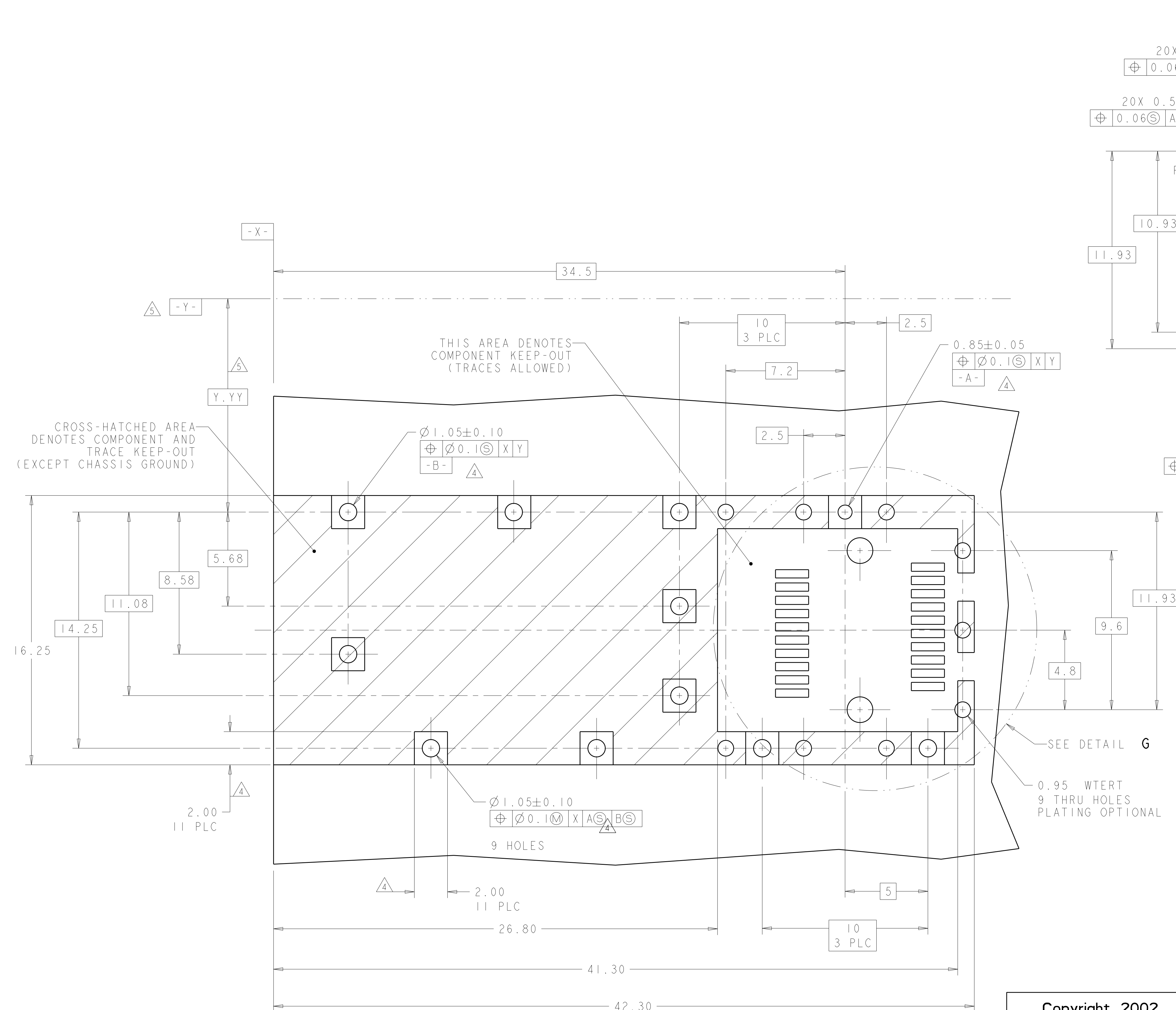


SCALE 8:1

Copyright 2002
 Tyco Electronics Corp
 All Rights Reserved

<small>THIS DRAWING IS A CONTROLLED DOCUMENT FOR TYCO ELECTRONICS CORPORATION. IT IS SUBJECT TO CHANGE WITHOUT NOTICE AND CONSTRUCTION ORGANIZATION SHOULD BE CONTACTED FOR THE LATEST REVISION.</small>		DWN M. E. SHIRK 14NOV01 CHK J. KOPPENHEFFER 31MAY02 APVD M. WALMSLEY 31MAY02	Tyco Electronics Harrisburg, PA 17105-3608
DIMENSIONS: mm 	TOLERANCES UNLESS OTHERWISE SPECIFIED: 0 PLC ± 1 PLC ±0.10 2 PLC ± 3 PLC ± 4 PLC ± ANGLES ± FINISH -	NAME CAGE ASSEMBLY, 20 PRESS FIT, SFP	SIZE CAGE CODE DRAWING NO A 100779 C-1489779
MATERIAL -	FINISH -	WEIGHT -	RESTRICTED TO -
CUSTOMER DRAWING		SCALE 5:1	SHEET 2 OF 3 REV C2

LOC	DIST	REV	DATE	BY	APPD
GP	00				
		DESCRIPTION		DATE	DWN
		SEE SHEET 1			



DETAIL G
SCALE 8:1

SEE DETAIL G
 0.95 WERT
 9 THRU HOLES
 PLATING OPTIONAL

RECOMMENDED PCB LAYOUT
SCALE 8:1

Copyright 2002
 Tyco Electronics Corp
 All Rights Reserved

DIMENSIONS: mm 		TOLERANCES UNLESS OTHERWISE SPECIFIED: 9 PLC ± 1 PLC ±0.10 5 PLC ± 4 PLC ± ANGLES ±		DWN M.E. SHIRK 14NOV01 CHK J. KOPPENHEFFER 31MAY02 APVD M. WALMSLEY 31MAY02 NAME PRODUCT SPEC APPLICATION SPEC 108-1950 114-13120 WEIGHT CUSTOMER DRAWING		Tyco Electronics Harrisburg, PA 17105-3608 CAGE ASSEMBLY, 20 PRESS FIT, SFP SIZE CAGE CODE DRAWING NO RESTRICTED TO A 100779 C=1489779 SCALE 5:1 SHEET 3 OF 3 REV C2	
-----------------------	--	--	--	--	--	--	--